



MEDICO

TECHNOLOGIES



Dental Instruments

Catalog **2021**



IMPLANT TOOLS

Dental Implant Tools

implantes dentales

impianti dentali

implanturi dentare

implants dentaires

Bone Scraper Sraight Handle + Blade

Catalog #	Size
-----------	------

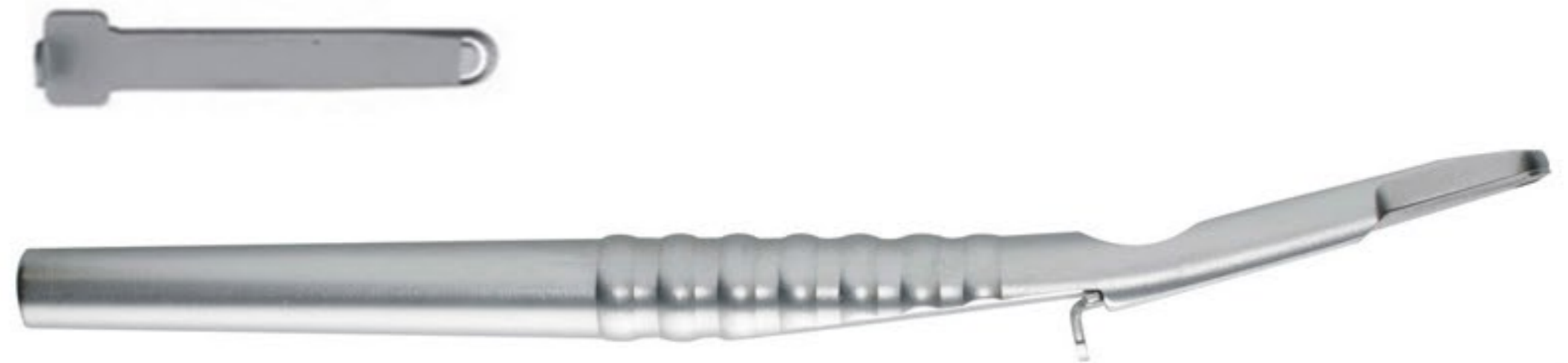
MT-DT-300-01	N/A
--------------	-----



Bone Scraper Curved Handle + Blade

Catalog #	Size
-----------	------

MT-DT-300-02	N/A
--------------	-----



Periotome Instrument Anterior

Catalog #	Size
-----------	------

MT-DT-300-03	N/A
--------------	-----



Periotome Instrument Posterior

Catalog #	Size
-----------	------

MT-DT-300-04	N/A
--------------	-----



Tunneling Instrument Elevator No. 1

Catalog #	Size
-----------	------

MT-DT-300-05	N/A
--------------	-----





IMPLANT TOOLS

Dental Implant Tools
implantes dentales
impianti dentali
implanturi dentare
implants dentaires

Tunneling Instrument Elevator No. 2

Catalog #	Size
MT-DT-300-06	N/A



Tunneling Instrument Knife

Catalog #	Size
MT-DT-300-07	N/A



Tunneling Instrument Curved Tip (Large Angle)

Catalog #	Size
MT-DT-300-08	N/A



Tunneling Instrument Curved Tip (Small Angle)

Catalog #	Size
MT-DT-300-09	N/A



Ratchet Wrench

Catalog #	Size
MT-DT-300-10	N/A





IMPLANT TOOLS

Dental Implant Tools
 implantes dentales
 impianti dentali
 implanturi dentare
 implants dentaires

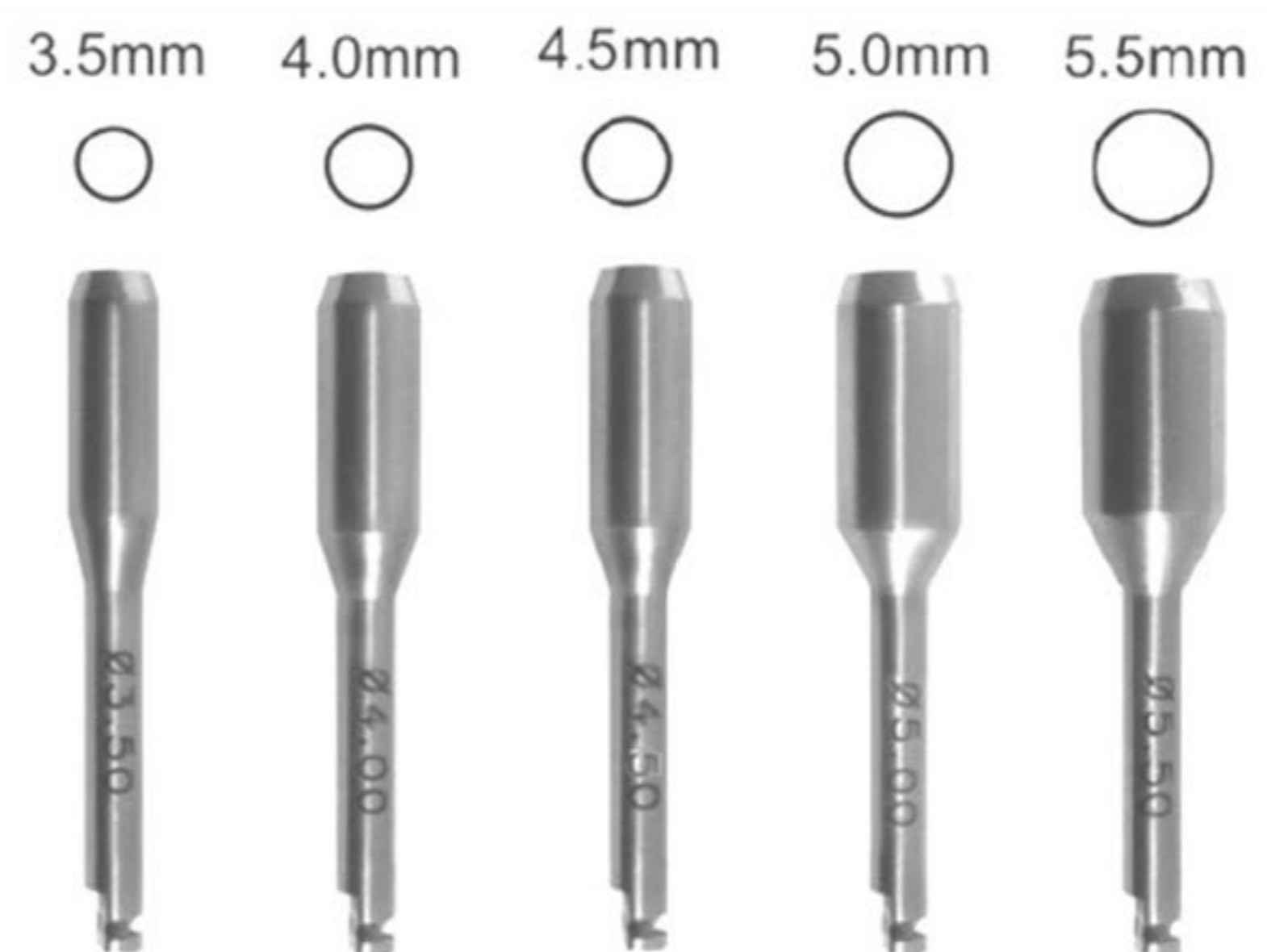
Tissue Punches (Centered Rotary)

Catalog #	Size
MT-DT-300-11	Ø 4.0 mm
MT-DT-300-12	Ø 5.0 mm
MT-DT-300-13	Ø 6.0 mm
MT-DT-300-14	Ø 7.0 mm



Tissue Punches (Open Rotary)

MT-DT-300-15	Ø 3.5 mm
MT-DT-300-16	Ø 4.0 mm
MT-DT-300-17	Ø 4.5 mm
MT-DT-300-18	Ø 5.0 mm
MT-DT-300-19	Ø 5.5 mm



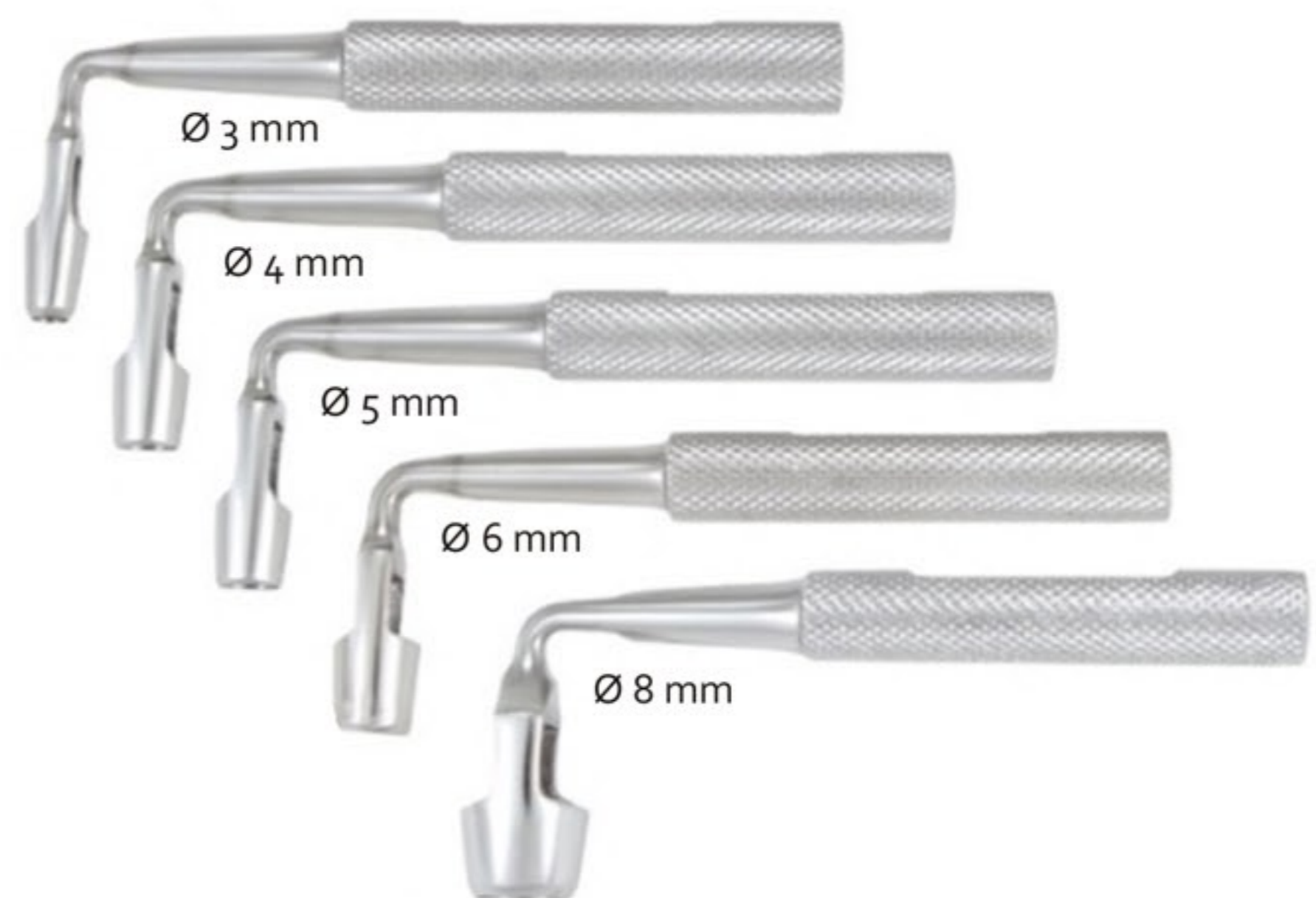
Tissue Punch Key Straight Head

Catalog #	Size
MT-DT-300-20	Ø 3 mm
MT-DT-300-21	Ø 4 mm
MT-DT-300-22	Ø 5 mm
MT-DT-300-23	Ø 6 mm
MT-DT-300-24	Ø 8 mm



Tissue Punch Key Curved Head

Catalog #	Size
MT-DT-300-25	Ø 3 mm
MT-DT-300-26	Ø 4 mm
MT-DT-300-27	Ø 5 mm
MT-DT-300-28	Ø 6 mm
MT-DT-300-29	Ø 8 mm





IMPLANT TOOLS

Dental Implant Tools
implantes dentales
impianti dentali
implanturi dentare
implants dentaires

Trephine Bur Ø 3.0 mm Regular

Catalog # **Size**

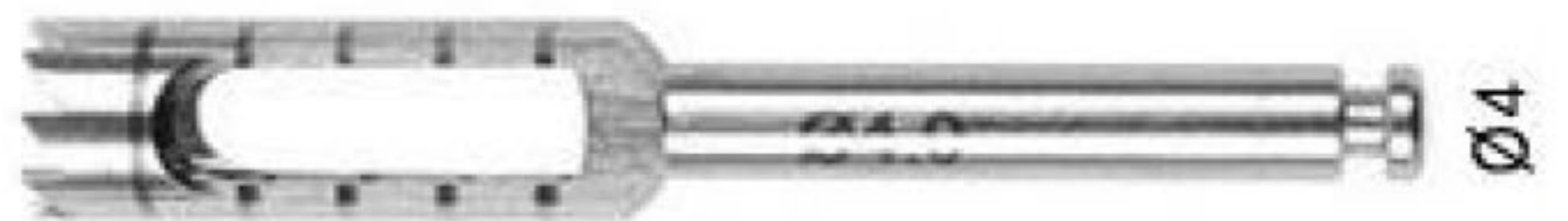
MT-DT-300-30 l: Ø 2.0 mm / A: Ø 3.0 mm



Trephine Bur Ø 4.0 mm Regular

Catalog # **Size**

MT-DT-300-31 l: Ø 3.0 mm / A: Ø 4.0 mm



Trephine Bur Ø 5.0 mm Regular

Catalog # **Size**

MT-DT-300-32 l: Ø 4.0 mm / A: Ø 5.0 mm



Trephine Bur Ø 6.0 mm Knife

Catalog # **Size**

MT-DT-300-33 l: Ø 5.0 mm / A: Ø 6.0 mm



Trephine Bur Ø 7.0 mm Regular

Catalog # **Size**

MT-DT-300-34 l: Ø 6.0 mm / A: Ø 7.0 mm



Trephine Bur Ø 8.0 mm Regular

Catalog # **Size**

MT-DT-300-35 l: Ø 7.0 mm / A: Ø 8.0 mm





IMPLANT TOOLS

Dental Implant Tools

implantes dentales

impianti dentali

implanturi dentare

implants dentaires

Trephine Bur Ø 3.0 mm

Long Type

Catalog # **Size**

MT-DT-300-36 l: Ø 2.0 mm / A: Ø 3.0 mm



Trephine Bur Ø 4.0 mm

Long Type

Catalog # **Size**

MT-DT-300-37 l: Ø 3.0 mm / A: Ø 4.0 mm

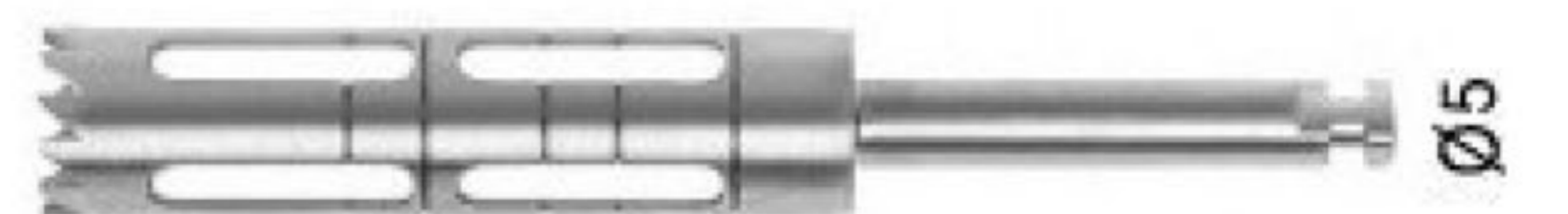


Trephine Bur Ø 5.0 mm

Long Type

Catalog # **Size**

MT-DT-300-38 l: Ø 4.0 mm / A: Ø 5.0 mm



Trephine Bur Ø 6.0 mm

Long Type

Catalog # **Size**

MT-DT-300-39 l: Ø 5.0 mm / A: Ø 6.0 mm



Trephine Bur Ø 7.0 mm

Long Type

Catalog # **Size**

MT-DT-300-40 l: Ø 6.0 mm / A: Ø 7.0 mm



Trephine Bur Ø 8.0 mm

Long Type

Catalog # **Size**

MT-DT-300-41 l: Ø 7.0 mm / A: Ø 8.0 mm





IMPLANT TOOLS

Dental Implant Tools

implantes dentales

impianti dentali

implanturi dentare

implants dentaires

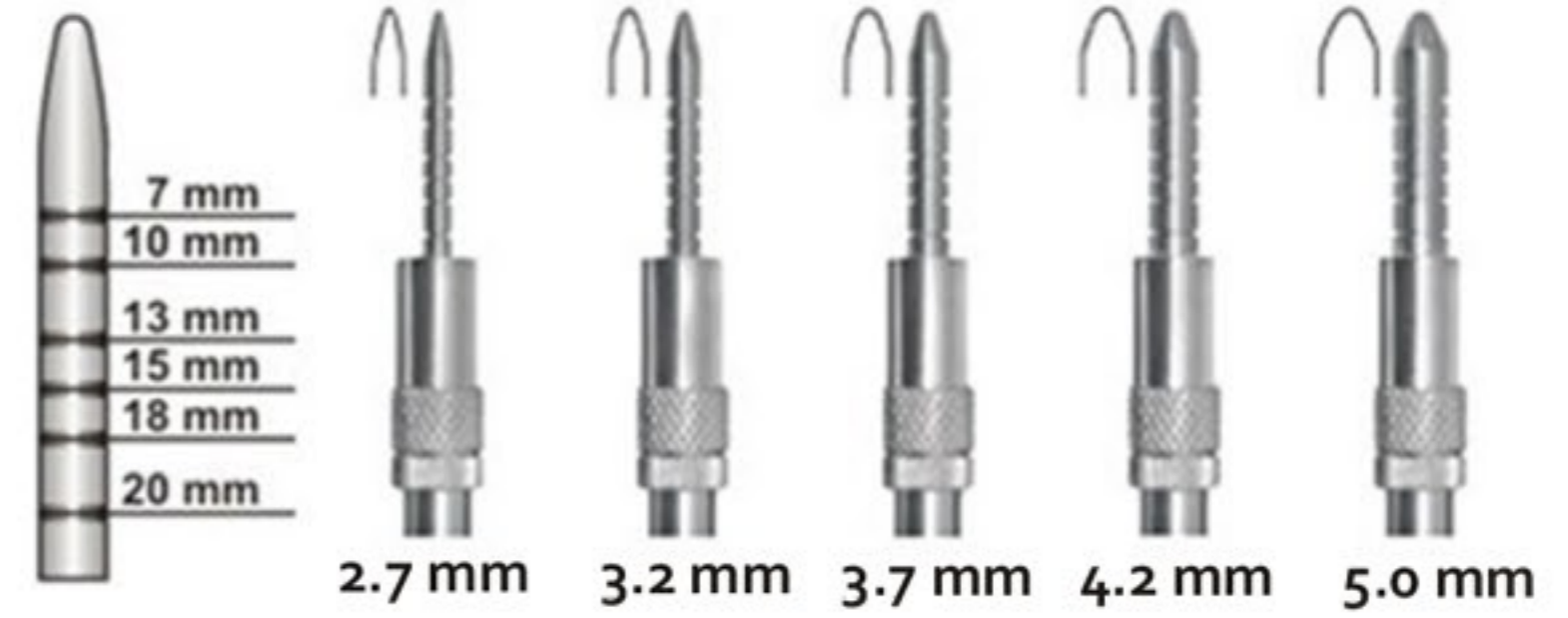
Osteotome Elevator

Tapered (Straight Handle)

Catalog # **Size**

MT-DT-300-42 2.7 mm, 3.2 mm, 3.7 mm, 4.2 mm, 5.0 mm

Tapered



Osteotome Elevator

Rounded Convex (Straight Handle)

Catalog # **Size**

MT-DT-300-43 2.7 mm, 3.2 mm, 3.7 mm, 4.2 mm, 5.0 mm

Convex



Osteotome Elevator

Concave (Straight Handle)

Catalog # **Size**

MT-DT-300-44 2.7 mm, 3.2 mm, 3.7 mm, 4.2 mm, 5.0 mm

Concave



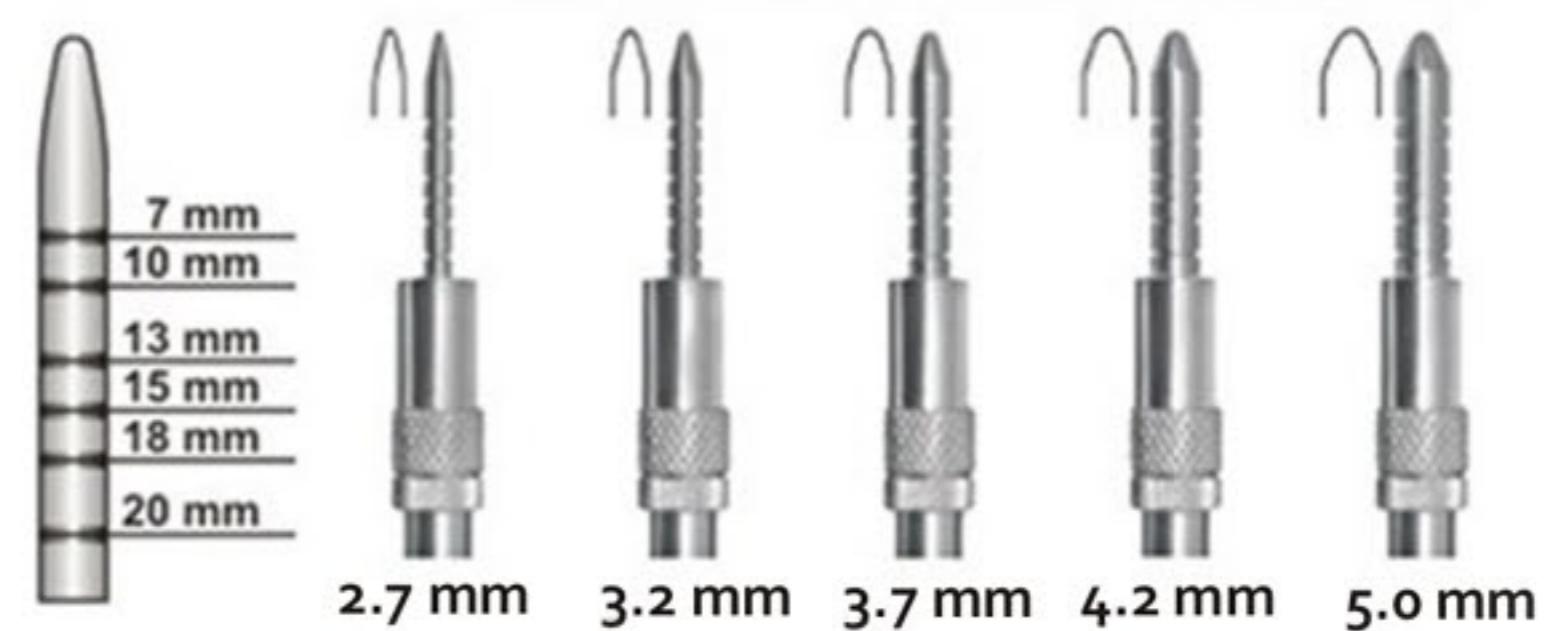
Osteotome Elevator

Tapered (Curved Handle)

Catalog # **Size**

MT-DT-300-45 2.7 mm, 3.2 mm, 3.7 mm, 4.2 mm, 5.0 mm

Tapered





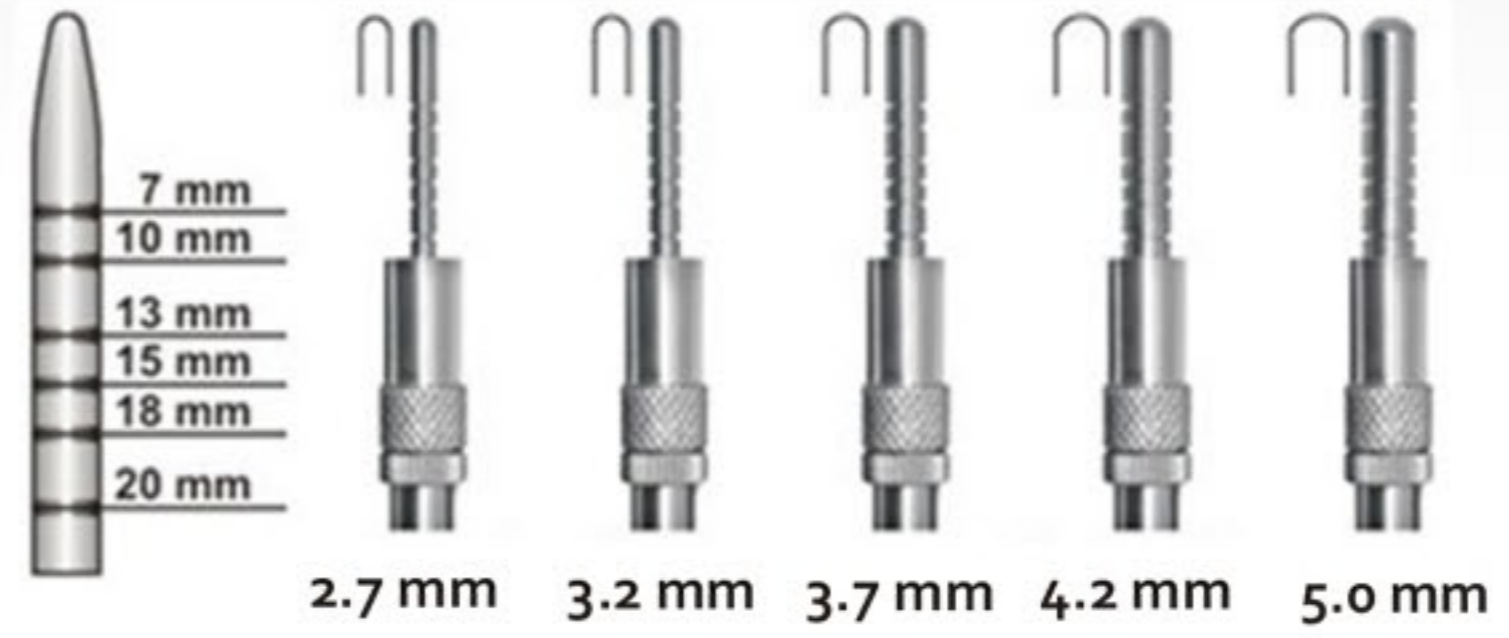
IMPLANT TOOLS

Osteotome Elevator Convex (Curved Handle)

Catalog # **Size**

MT-DT-300-46 2.7 mm, 3.2 mm, 3.7 mm, 4.2 mm, 5.0 mm

Convex

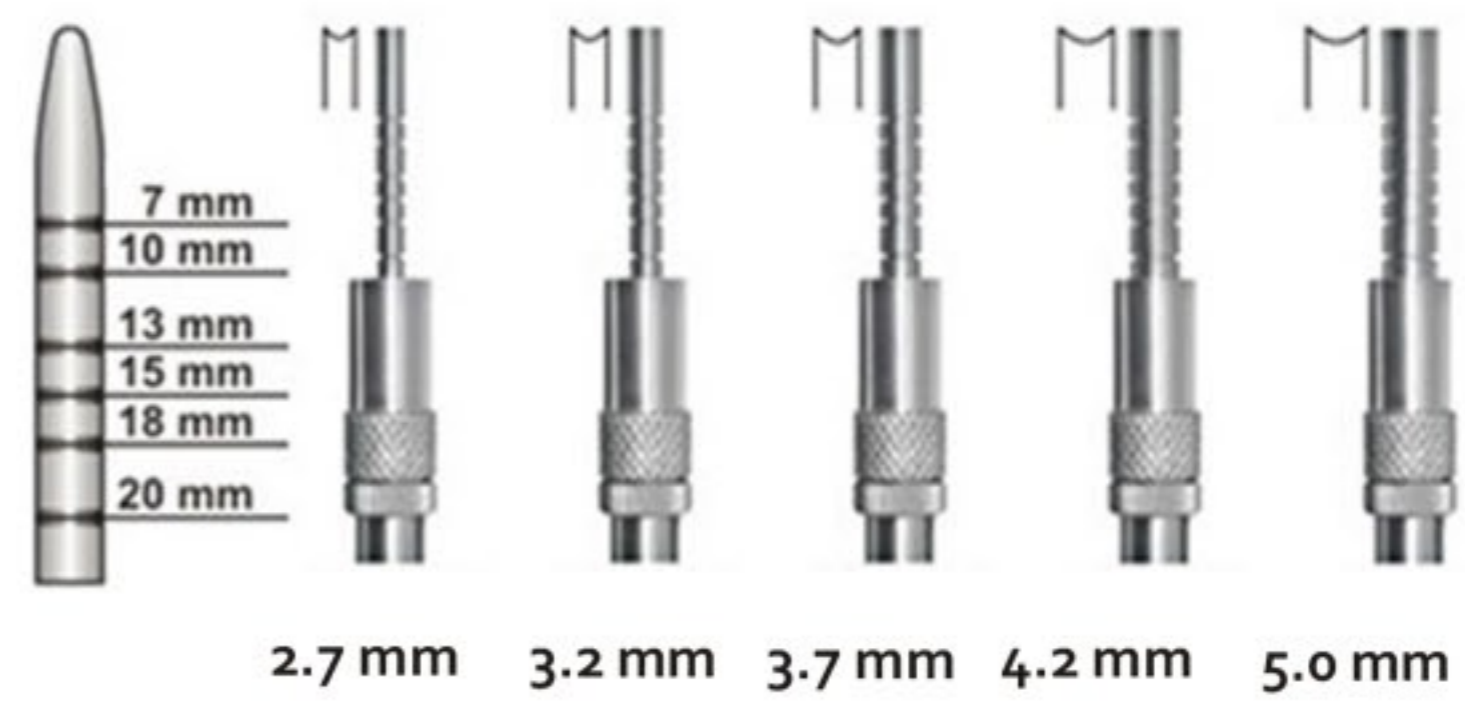


Osteotome Elevator Concave (Curved Handle)

Catalog # **Size**

MT-DT-300-47 2.7 mm, 3.2 mm, 3.7 mm, 4.2 mm, 5.0 mm

Concave



Bone Mill

Catalog # **Size**

MT-DT-300-48 N/A



Bone Cruncher

Catalog # **Size**

MT-DT-300-49 N/A



Bone Well with Cover

Catalog # **Size**

MT-DT-300-50 N/A





IMPLANT TOOLS

Dental Implant Tools
implantes dentales
impianti dentali
implanturi dentare
implants dentaires

Bone Well with Cover

Catalog #	Size
MT-DT-300-51	N/A



Bone Crusher

Catalog #	Size
MT-DT-300-52	N/A



Implant Gauge Measurement (0-100mm)

Catalog #	Size
MT-DT-300-53	100 mm



Mallet Steel & Teflon

Catalog #	Size
MT-DT-300-54	N/A



Mead Mallet

Catalog #	Size
MT-DT-300-55	N/A





IMPLANT TOOLS

Sinu Lift Instrument
Fig. 1

Catalog #	Size
MT-DT-300-56	N/A



Sinus Lift Instrument
Fig. 2

Catalog #	Size
MT-DT-300-57	N/A



Sinus Lift Instrument
Fig. 3

Catalog #	Size
MT-DT-300-58	N/A



Sinus Lift Instrument
Fig. 4

Catalog #	Size
MT-DT-300-59	N/A



Sinus Lift Instrument
Fig. 5

Catalog #	Size
MT-DT-300-60	N/A



Sinus Lift Instrument
Fig. 6

Catalog #	Size
MT-DT-300-61	N/A



Sinus Lift Instrument
Fig. 7

Catalog #	Size
MT-DT-300-62	N/A



Sinus Lift Instrument
Fig. 8

Catalog #	Size
MT-DT-300-63	N/A



MEDICO TECHNOLOGIES



wazirabad road sialkot- 51310 pakistan



0092 523 571 255



0092 523 571 255



info@medico-medtech.com



<http://www.medico-medtech.com>